



A head above the rest.

MODEL 3000-12

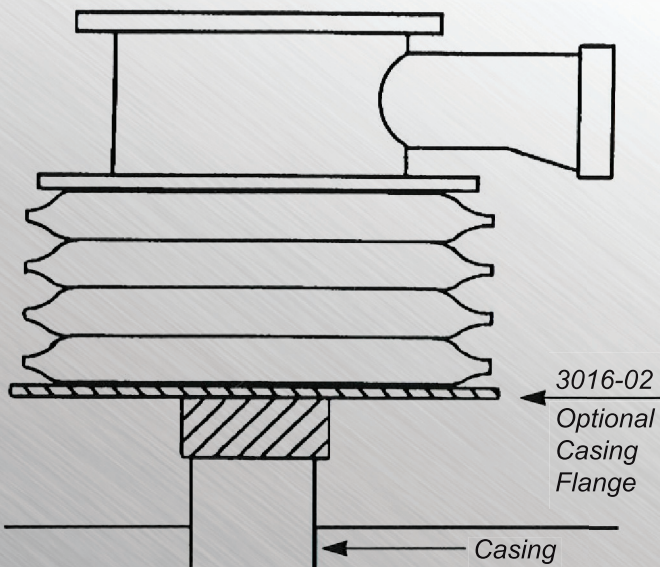
The 3000-12 is our most popular unit. This unit is easily adaptable to most top head drive rigs with rig tables that are connected to the rig's mast. The 3000-12 is supplied with Universal Mounting Brackets that must be affixed to the underside of the table.



3000-12 Pneumatic Section Inflated with Stripper Rubber Closed



3000-12 Pneumatic Section Deflated with Stripper Rubber Open and Control Unit



**Optional Casing Flange is available and should be used after casing is set.*

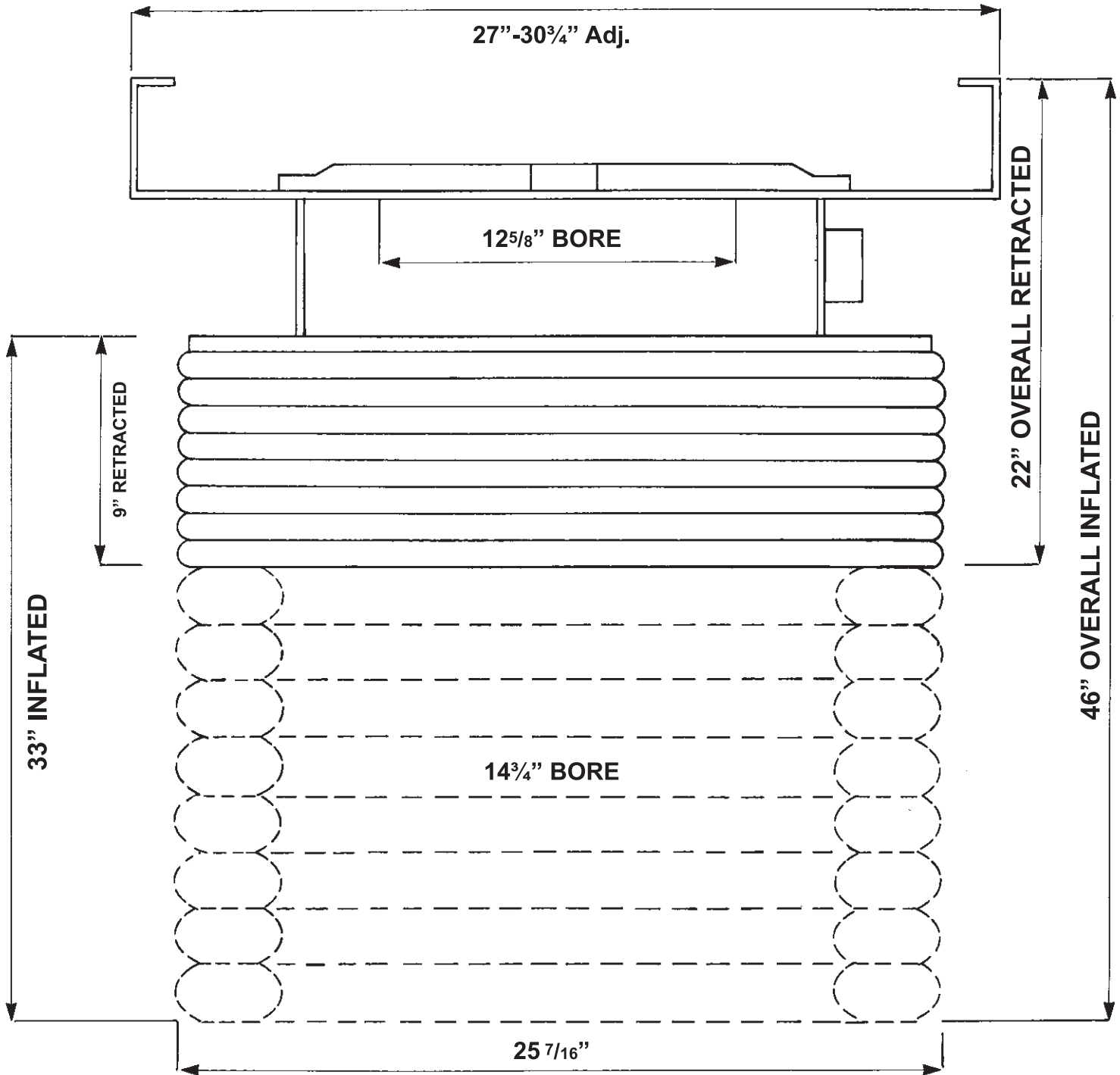
F-5.7.3-015-0

The 3000-12 Pneumatic Diverter System can be manufactured with a 10 or 11-tube Pneumatic Assembly and, in most cases, has sufficient enough extension to work properly against the ground. If more extension is required, the brackets can be changed to the 3000-12S style brackets. This will enable the unit to be elongated far enough for the pneumatic section to contact the ground and seal. The flow line can be rotated 360° to put drill cuttings where you want them. The 3000-12 can be utilized on terrain that is up to 20° out of level. The 3000-12 comes complete with Control Unit, Primary Inline Regulator, Air Lines and Universal Mounting Brackets.

Outlet Options

- Standard 6" NPT Outlet
- Optional 8" NPT Outlet
(Note: This option will add 1½" to overall height)

**DIMENSIONS
MODEL 3000-12**



Manufactured By
**WASHINGTON ROTATING
CONTROL HEADS, INC.**
P.O. Box 261 • Washington, PA 15301-0261
Phone: 724-228-8889 • Fax: 724-228-8912
www.washingtonrotating.com