



*A head above the rest.*

**MODEL 3021  
DIVERTER SYSTEM**

The 3021 Diverter is manufactured to work on your casing. It can be flanged to casing, threaded on casing, or can be made up with the compression lock system. The compression lock system is dependable and easy to use. Simply slide Diverter over casing and tighten (3) bolts on compression ring. The rubber rings enclosed are then compressed around your casing providing a slip-proof lock and seal on plastic casing, as well as steel.



*3021 with Wiper Rubber Closed and Compression Lock Attached*

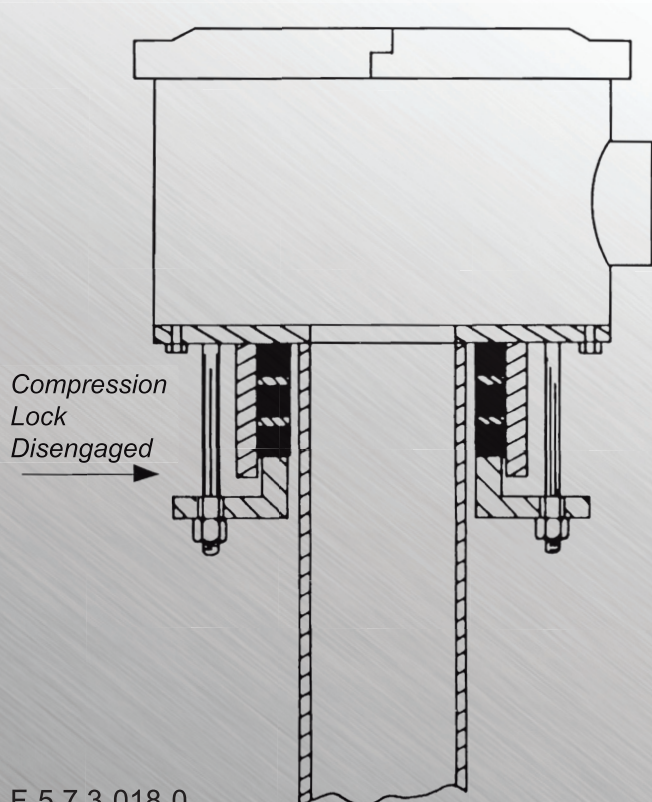
The 3021 Diverter is manufactured to utilize the 3010 Series Wiper Rubber. Because of the 3010's two-piece construction, bit and/or hammer can be lowered into casing by simply opening Wiper Rubber, passing tool and closing back around drill pipe. Drill cuttings are now contained and diverted to desired location through flow line.

**Outlet Options**

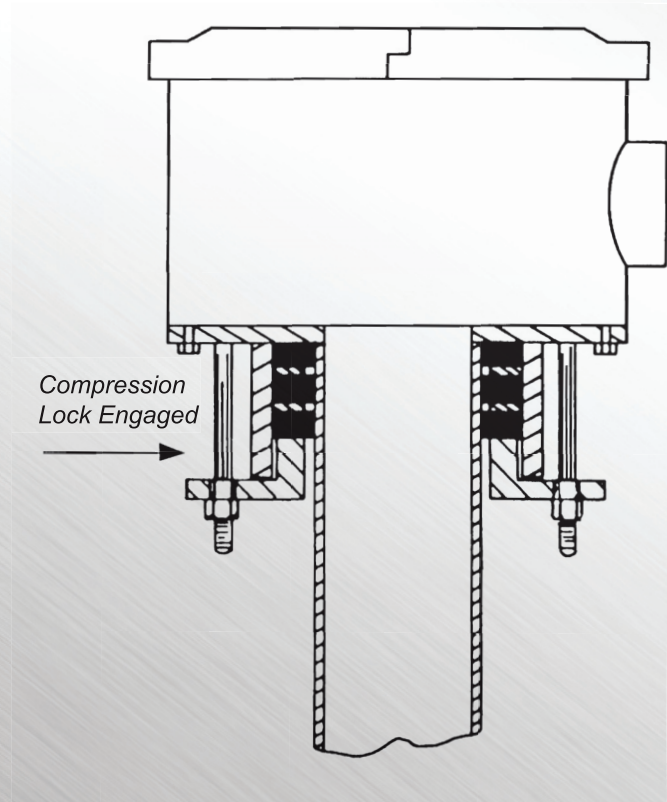
- Standard 6" NPT Outlet
  - Optional 8" NPT Outlet
- (Note: This option will add 1½" to overall height)



*3021 with Wiper Rubber Open and Compression Lock Not Attached*



F-5.7.3-018-0



## DIMENSIONS MODEL 3021



**Model 3021** With compression-lock is adaptable to all casing sizes up to 8 5/8"  
With male T.H.D. is adaptable to all casing sizes up to 10 3/4"  
With female T.H.D. is adaptable to all casing sizes up to 9 5/8"

Manufactured By  
**WASHINGTON ROTATING  
CONTROL HEADS, INC.**

P.O. Box 261 • Washington, PA 15301-0261  
Phone: 724-228-8889 • Fax: 724-228-8912  
www.washingtonrotating.com

F-5.7.3-018-0