



# SERIES 1300

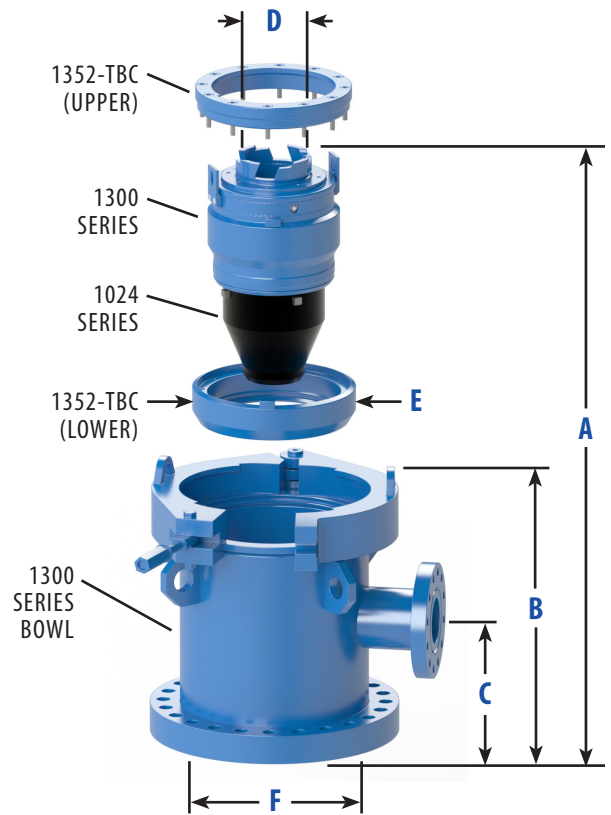
## ROTATING CONTROL DEVICES

20" thru 30"

The Washington Series 1300 is our original Rotating Control Device. This unit is designed to seal off the drill string components continuously and divert all cuttings and debris away from the rig. Designed for either Top Head or for Kelly Drive rigs. The 1300 Series Rotating Assembly utilizes our 1024 stripper rubber and will seal off drill steel from 2"-8" OD. The 1400 Series Rotating Assembly can also be used in a 1300 Series bowl.

We have a well-stocked inventory of parts and excellent service to keep down time to a minimum. If your sizing requirement is not listed below, please inquire for customization options.

Kelly Drive Bushing is available, see accessories datasheet or inquire.



### WHEN ORDERING, PLEASE SPECIFY:

1. Model number
2. Inlet flange size
3. Outlet flange size
4. Kelly size and shape
5. Drill pipe & tool joint OD
6. Drilling environment
7. High temperature, if applicable.

All air bowls can be fitted with flanged outlets per your request.

All air bowls can be double drilled at your request.

\*Add 2" to OAH for optional Kelly drive bushing.

### MODEL 1300 SPECIFICATIONS

Dynamic Test Pressure (Rotating)	500 PSI
Static Test Pressure	600 PSI
Maximum R.P.M.	200 RPM
Stripper Rubber Mounting	Threaded
RCDs	Available in standard oiled or sealed versions

Nominal Flange Size	A*	B	C	RCD Bore D	ADAPTER OD E	Bowl Bore F	Outlet Flange
20" - 3000	40 1/4"	33 1/2"	16 1/2"	8 1/4" or 9 1/8"	21"	20"	Per request
20 3/4" - 3000	38 3/16"	31 1/2"	16 1/2"	8 1/4" or 9 1/8"	22 1/4"	20 3/4"	Per request
21 1/4" - 2000	37 5/16"	30 3/8"	15 5/8"	8 1/4" or 9 1/8"	22 1/4"	21 1/4"	Per request
30" - 1000	36 3/4"	29"	16 1/2"	8 1/4" or 9 1/8"	31 3/4"	30 1/2"	Per request

Washington Rotating Control Heads, Inc.  
 P: 724.228.8889 | F: 724.228.8912  
 63 Springfield Avenue  
 Washington, PA 15301  
[www.washingtonrotating.com](http://www.washingtonrotating.com)

Our test pressures have been established through controlled test procedures. As a result of the ever-changing environment of well drilling operations along with wear and tear on equipment, which erodes longevity and safe operating parameters, Washington Rotating Control Heads, Inc., its Business Units, Agents and Affiliates make no warranty either expressed or implied on the test pressures contained herein. Washington Rotating Control Heads, Inc. does not under any circumstances recommend that its rotating control devices be used as primary blow out prevention equipment.

API Specification Q1 - Registration No. Q1-2651

ISO 9001:2015-APIQR Registration No. 2775