



724-228-8889

STRIPPER, WIPER, & CASING RUBBERS

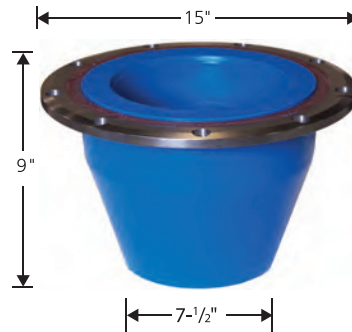
* Can provide custom sizes if needed

* All stripper rubber can be manufactured natural, butyl, and urethane



1400 AND 1358 SERIES STOCK SIZES

4010-AA	1- ¹ / ₂ "
4010-A	2" — 2- ⁷ / ₈ "
4010-B	3- ¹ / ₂ " — 4"
4010-C	4- ¹ / ₂ " — 5"
4010-D	5- ¹ / ₂ "



1400 AND 1358 SERIES STOCK SIZES

4010-AOB	2" — 2- ³ / ₈ "
4010-BOB	2- ⁷ / ₈ " — 3- ¹ / ₂ "
4010-COB	4" — 4- ¹ / ₂ "
4010-DOB	5"
4010-EOB	5- ¹ / ₂ "



1300 SERIES STOCK SIZES

1024-1	1- ¹ / ₂ " — 2- ³ / ₈ "
1024-2	2- ³ / ₈ " — 2- ⁷ / ₈ "
1024-3	3- ¹ / ₂ " — 4"
1024-4	4- ¹ / ₂ " — 5"
1024-5	5- ¹ / ₂ " — 6"



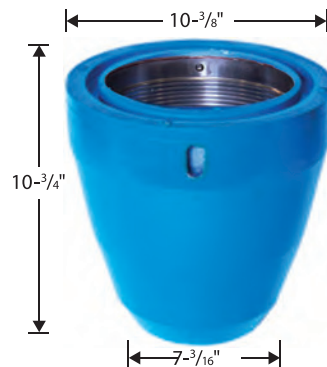
1300 SERIES STOCK SIZES

1024-20B	2" — 2- ³ / ₈ "
1024-30B	2- ⁷ / ₈ " — 3- ¹ / ₂ "
1024-40B	4" — 4- ¹ / ₂ "
1024-50B	5"
1024-60B	5- ¹ / ₂ "



2000 SERIES STOCK SIZES

2010-A	2" — 2- ⁷ / ₈ "
2010-B	3- ¹ / ₂ " — 4"
2010-C	4- ¹ / ₂ " — 5"



2000 SERIES STOCK SIZES

2010-AOB	2" — 2- ⁷ / ₈ "
2010-BOB	2- ⁷ / ₈ " — 3- ¹ / ₂ "
2010-COB	3- ¹ / ₂ " — 4- ¹ / ₂ "
2010-DOB	5"



2300 SERIES STOCK SIZES

4010-VA	2" — 2- ⁷ / ₈ "
4010-VB	3- ¹ / ₂ " — 4"
4010-VC	4- ¹ / ₂ " — 5"
4010-VD	5- ¹ / ₂ "



2300 SERIES STOCK SIZES

4010-VAOB	2" — 2- ³ / ₈ "
4010-VBOB	2- ⁷ / ₈ " — 3- ¹ / ₂ "
4010-VCOB	4" — 4- ¹ / ₂ "
4010-VDOB	5"
4010-VEOB	5- ¹ / ₂ "

Washington Rotating Control Heads, Inc.

P: 724.228.8889 | F: 724.228.8912

63 Springfield Avenue | P.O. Box 261 | Washington, PA 15301

www.washingtonrotating.com

REV 3/18



724-228-8889

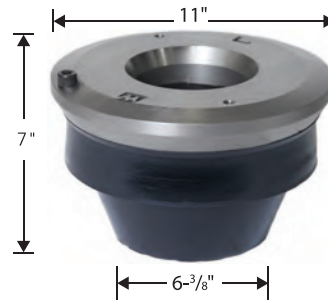
STRIPPER, WIPER, & CASING RUBBERS



1300 AND 1400 SERIES

STOCK SIZES

7010-AAA	5"
7010-AA	6"
7010-A	7"
7010-B	7-5/8"
7010-C	8"
7010-D	8-5/8"
7010-E	9-5/8"
7010-F	10-3/4"
7010-G	11"



1360 SERIES

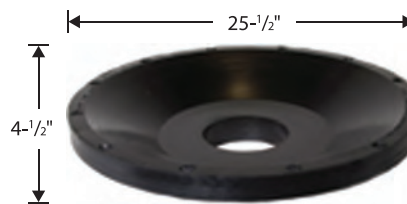
STOCK SIZES

9010-AAX	1-1/2"
9010-AX	2-3/8"
9010-BX	2-7/8"
9010-CX	3-1/2"
9010-DX	4-1/2"
9010-EX	5-1/2"



STOCK SIZES

1010-AC	7"
1010-BC	8-5/8"
1010-CC	9-5/8"
1010-DC	10-3/4"
1010-EC	13-3/8"
1010-FC	11-3/4"



STOCK SIZES

1110-A	7"
1110-B	8-5/8"
1110-C	9-5/8"
1110-D	10-3/4"
1110-E	13-3/8"
1110-F	16"
1110-G	18"
1110-H	20"



STOCK SIZES

4010-AG	2" — 2-7/8"
4010-BG	3-1/2" — 4"
4010-CG	4-1/2" — 5"
4010-DG	5-1/2"



STOCK SIZES

4010-AGOB	2" — 2-3/8"
4010-BGOB	2-7/8" — 3-1/2"
4010-CGOB	4 — 4-1/2"
4010-DGOB	5"
4010-EGOB	5-1/2"