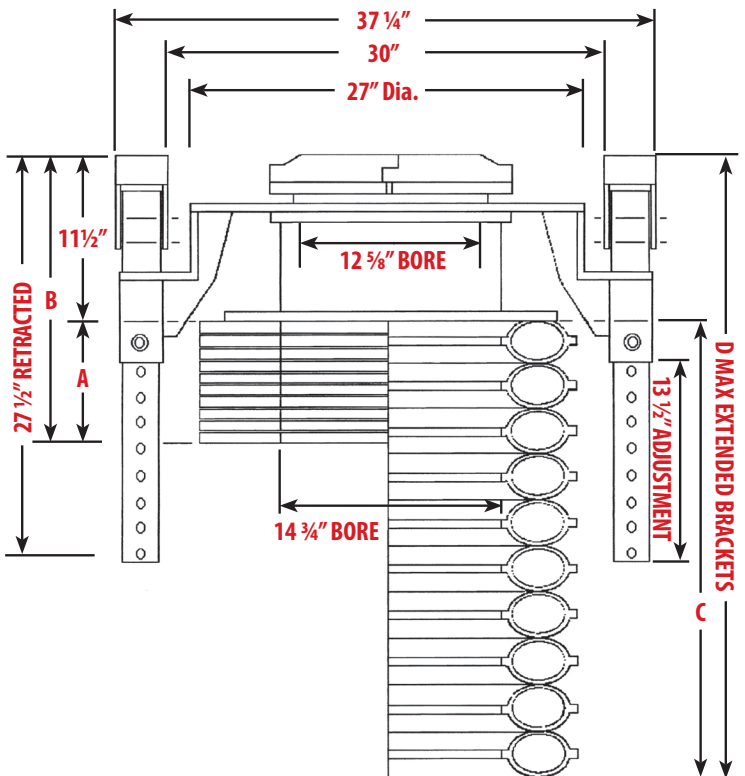


The 3000-12T3 is manufactured to mount on an Ingersoll Rand T3W. The special base plate and mounting brackets allow the unit to be transported under the rig table, high enough not to strike the ground surface. The special mounting brackets will also enable the unit to be swiveled out from under the rig table to aid clearing the casing when driving off well site. The flow line can be rotated to direct drill cuttings where you want them. The Divertech System uses the patented two-piece stripper rubber which was designed exclusively for Divertech.

In the event that your casing is too high for the retracted Divertech to clear the casing, simply:

1. Use the provided chains to attach the Divertech to the back half of your table
2. Raise the rig
3. Retract your table until retracted Divertech is horizontal
4. Lower the rig and drive away from casing
5. Lower the Divertech to the travel position



3000-12T3 Pneumatic Section
Inflated, Brackets Extended with
Stripper Rubber Closed

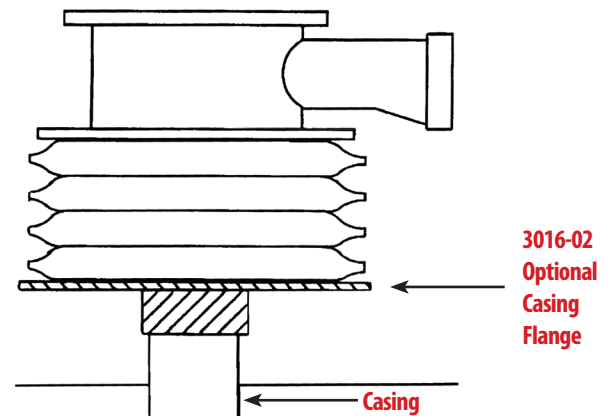


3000-12T3 Pneumatic Section Deflated,
Brackets Retracted with Stripper Rubber
Closed and Control Unit

	5 Tube	10 Tube	11 Tube
A - Retracted Bladder	5"	10"	11"
B - Retracted Overall Height	16 1/2"	21 1/2"	22 1/2"
C - Inflated Bladder	17"	35"	38"
D - Inflated Overall Height	46 3/4"	58 3/4"	61 3/4"

Outlet Options

- Standard 6" NPT Outlet
- Optional 8" NPT Outlet (Note: This option adds 1 1/2" to overall height)



Optional Casing Flange is available and should be used after casing is set.