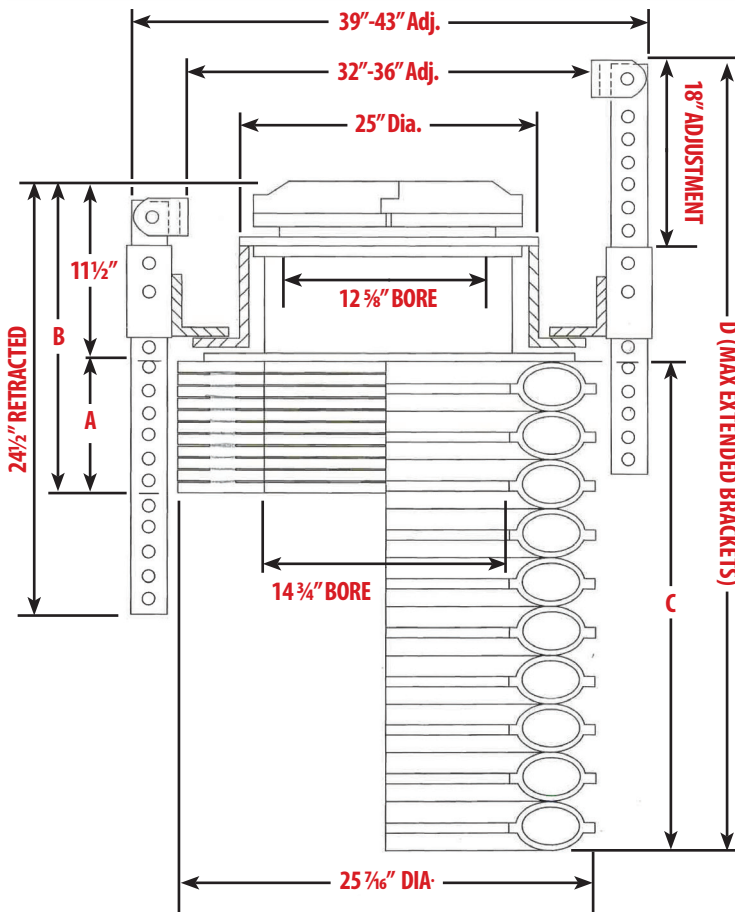


The 3000-12ST is manufactured to mount on top head drive rigs with stationary tables, whose truck frames extend partially under the rig table such as the "Speedstar 30K". The special base plate and mounting brackets allow the unit to be transported under the rig table high enough not to strike the ground surface. The Diverter System uses the patented two-piece stripper rubber which was designed exclusively for Divertech.

With a 10-tube Pneumatic Assembly and extendable mounting brackets, the 3000-12ST is quite universal when considering all drilling application requirements. The flow line can be rotated to direct drill cuttings where you want them. The 3000-12ST can be utilized on terrain that is up to 20° out of level. The 3000-12ST comes complete with Control Unit, Primary Inline Regulator and Air Lines.



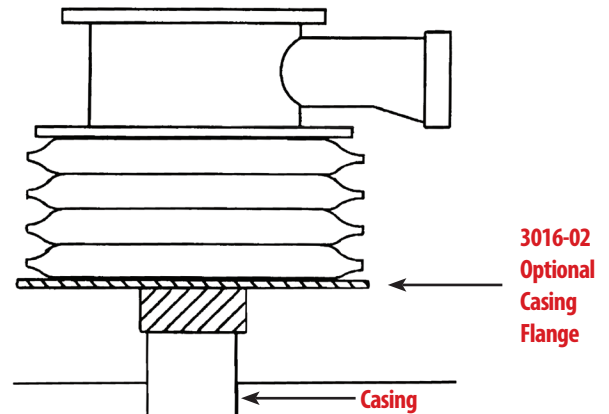
3000-12ST Pneumatic Section Deflated, Brackets Retracted with Stripper Rubber Closed



	5 Tube	10 Tube	11 Tube
A - Retracted Bladder	5"	10"	11"
B - Retracted Overall Height	16 ½"	21 ½"	22 ½"
C - Inflated Bladder	17"	35"	38"
D - Inflated Overall Height	46"	64"	67"

#### Outlet Options

- Standard 6" NPT Outlet
- Optional 8" NPT Outlet (Note: This option adds 1 ½" to overall height)



Optional Casing Flange is available and should be used after casing is set.