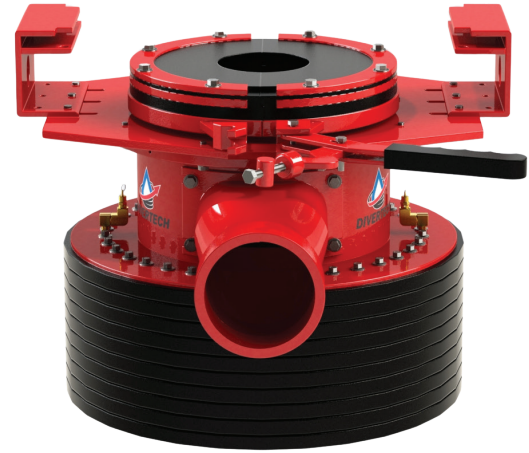
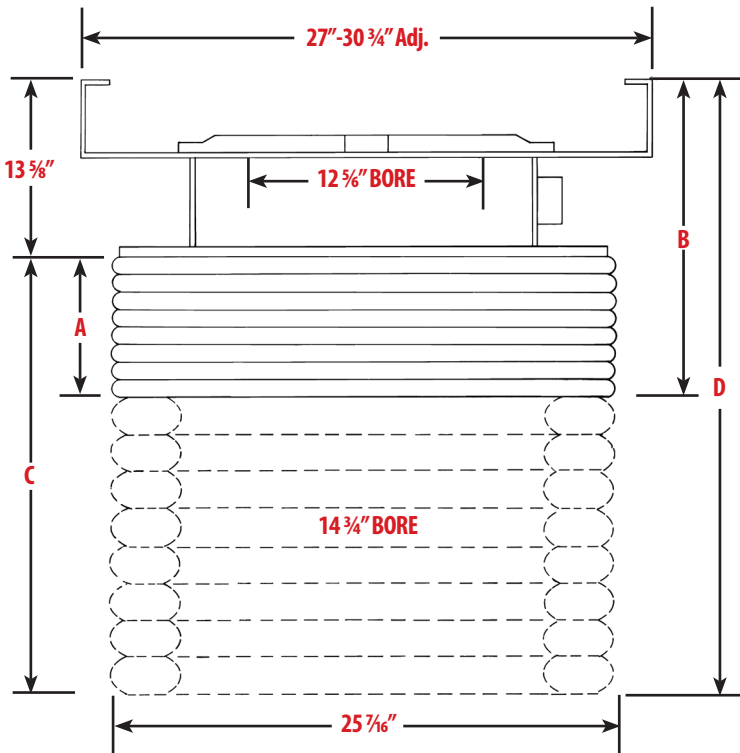


The 3000-12 is our most popular unit. This unit is easily adaptable to most top head drive rigs with rig tables that are connected to the rig's mast. The 3000-12 is supplied with Universal Mounting Brackets that must be affixed to the underside of the table. The Diverter System uses the patented two-piece stripper rubber which was designed exclusively for Divertech.

The 3000-12 Pneumatic Diverter System can be manufactured with a 5, 10, or 11-tube Pneumatic Assembly and, in most cases, has sufficient enough extension to work properly against the ground. If more extension is required, the brackets can be changed to the 3000-12 EXT style brackets. This will enable the unit to be elongated far enough for the pneumatic section to contact the ground and seal. The flow line can be rotated to direct drill cuttings where you want them. The 3000-12 can be utilized on terrain that is up to 20° out of level. The 3000-12 comes complete with Control Unit, Primary Inline Regulator, Air Lines, and Universal Mounting Brackets.



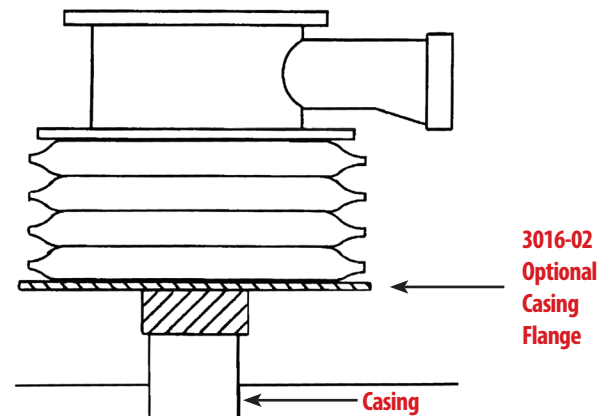
3000-12 Pneumatic Section Deflated with Stripper Rubber Closed



	5 Tube	10 Tube	11 Tube
A - Retracted Bladder	5"	10"	11"
B - Retracted Overall Height	18 5/8"	23 5/8"	24 5/8"
C - Inflated Bladder	17"	35"	38"
D - Inflated Overall Height	30 5/8"	48 5/8"	51 5/8"

Outlet Options

- Standard 6" NPT Outlet
- Optional 8" NPT Outlet (Note: This option adds 1 1/2" to overall height)



Optional Casing Flange is available and should be used after casing is set.